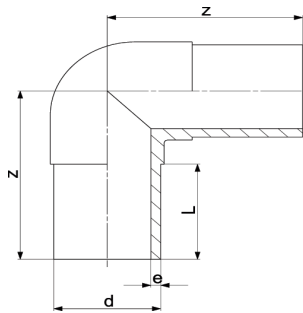


Winkel 90° PE100 S-8 SDR 17 PN 10



Langschenklige Version, 5 bar Gas / 10 bar Wasser.



Lief.-Nr.	d mm	z mm	L mm	NPK	Art.-Nr.
753 100 813	90	150	81	422.117	33305-0238
753 100 814	110	165	86	422.118	33305-0239
753 100 815	125	180	93	422.119	33305-0240
753 100 816	140	194	92	422.121	33305-0241
753 100 817	160	210	102	422.122	33305-0242
753 100 818	180	232	107	422.123	33305-0243
753 100 819	200	253	115	422.124	33305-0244
753 100 820	225	270	120	422.125	33305-0245
753 100 821	250	292	130	422.126	33305-0246
753 100 822	280	320	140	422.127	33305-0860
753 100 823	315	370	150	422.128	33305-0861

2548